

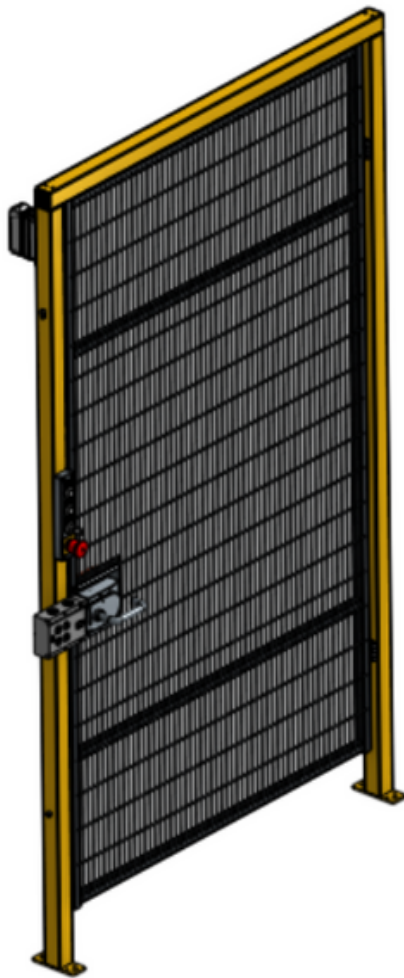
ADVANCED MACHINE GUARDING SOLUTIONS

Safety Guarding Made Simple.

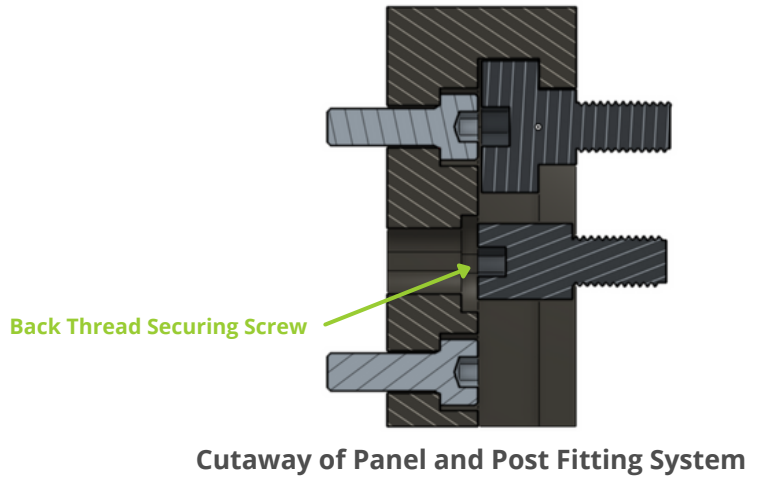


SAFETY GUARDING MADE SIMPLE

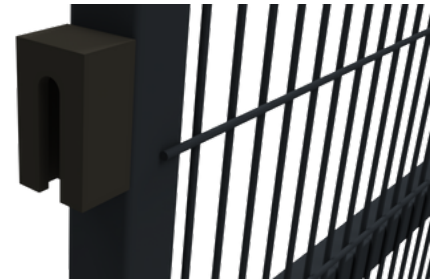
- Quick Connect Panel and Post Fitting System
- Standard heights and widths
- Easy to access 3D models with an online custom panel configurator
- Panel post leveling options
- Preassembled doors with options for various interlock manufacturers
- Integrated light curtain options
- Custom cabling for safety electronics



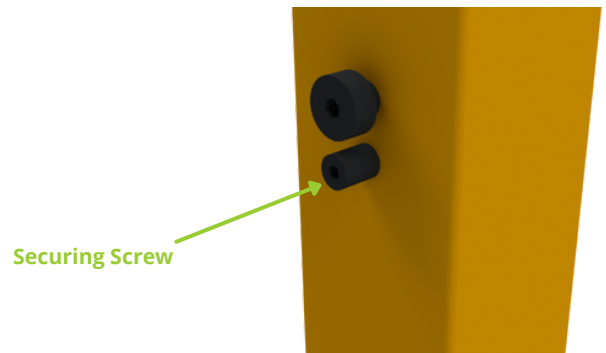
Preassembled Doors With or Without Safety Electronics



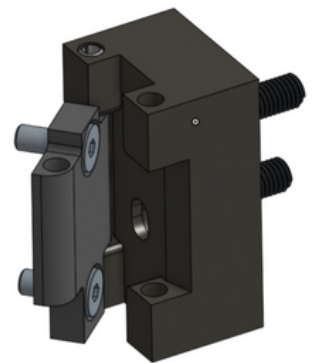
Cutaway of Panel and Post Fitting System



Preattached Panel Hardware



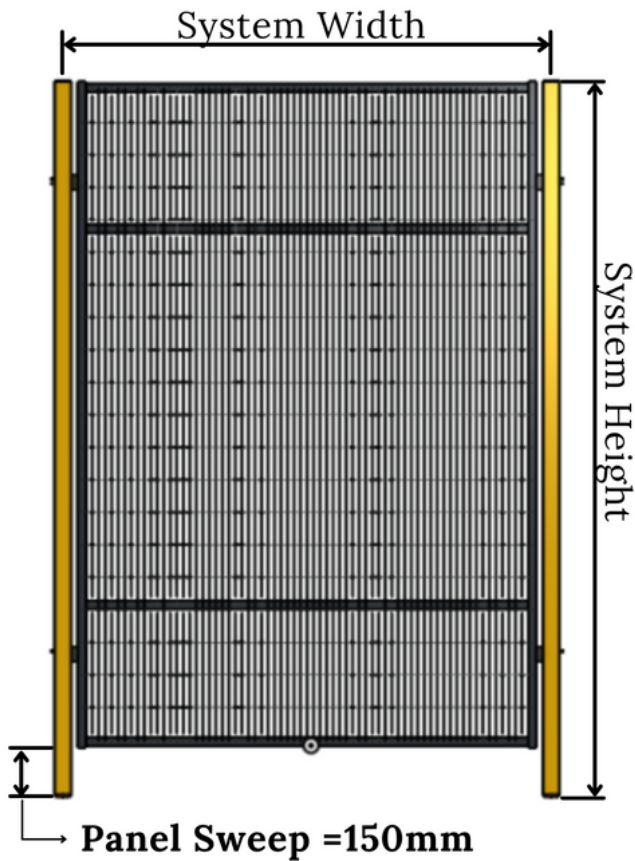
Preattached Post Hardware



Hinged Panel and Post Hardware

Part Number = HIN-0001
Package Qty 2

Panels

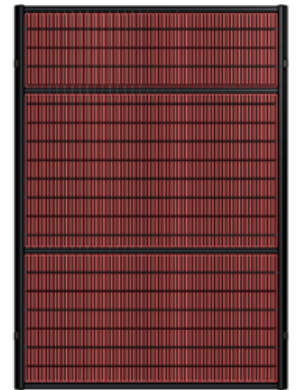


Panel frames are fully welded 25mm x 25mm tube steel. The spot welded wire mesh is made of 3mm diameter steel wire with a grid spacing of 20mm x 100mm.

The system width measurement is measured from the center of one post to the center of the other post.

Options Include:

- Preattached weld screen (red screen is stocked) (maximum panel width is 1500mm)
- Polycarbonate (maximum panel width is 1250mm)



PA W - 22 1500 WSR

Panel Media

W = Wire Mesh
P = Polycarb
S = Sheet metal

System Height Options:

22 = 2200mm
18 = 1800mm
16 = 1600mm
14 = 1400mm
12 = 1200mm

System Width Options:

1750 = 1750mm
1500 = 1500mm
1250 = 1250mm
1000 = 1000mm
0900 = 900mm
0800 = 800mm
0750 = 750mm
0600 = 600mm
0500 = 500mm
0400 = 400mm
0300 = 300mm
0250 = 250mm

Weld Screen Option

-Blank-
WSR = Weld Screen Red
WSB = Weld Screen Blue

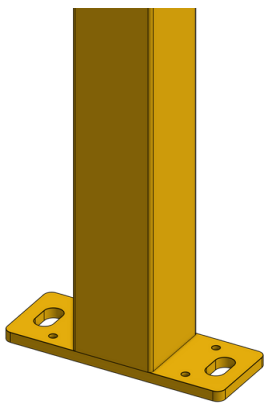


Posts

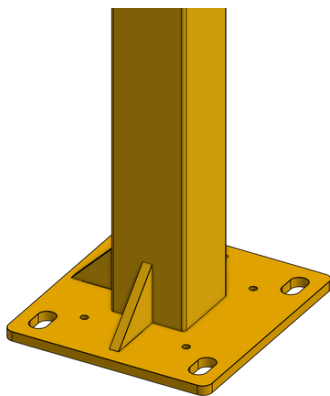
Guarding Posts are made from 2"x 2" 14-gauge tube steel and are robotically welded to the foot pad for a robust solution.

All post designs include (4) M6 jack-screws that thread into the foot for leveling (Max 20mm) and 2-4 clearance holes for 3/8" anchors. All Posts come with zinc plated shims.

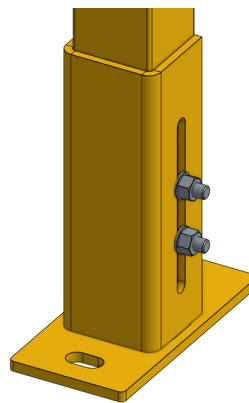
Standard Power Coated Color is Safety Yellow (RAL1018)
Custom Colors Available.



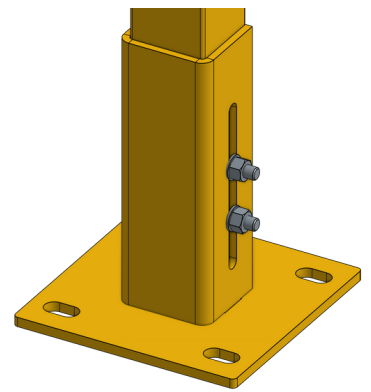
Standard Post



Heavy Duty Post
Used with wide doors

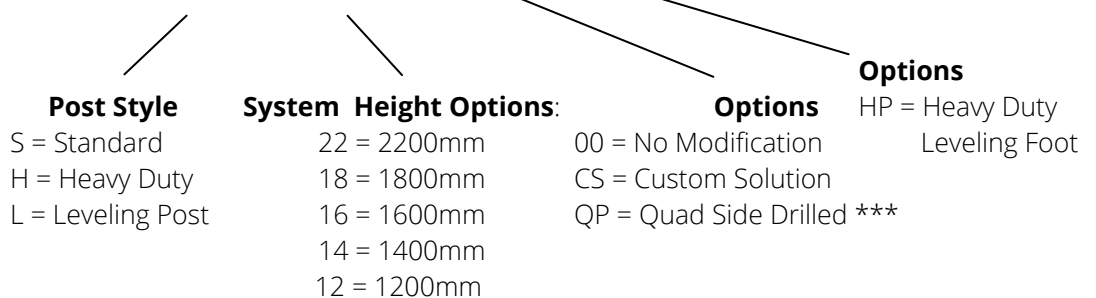


Standard Leveling Post
*Adjustable up to 2 1/2" *



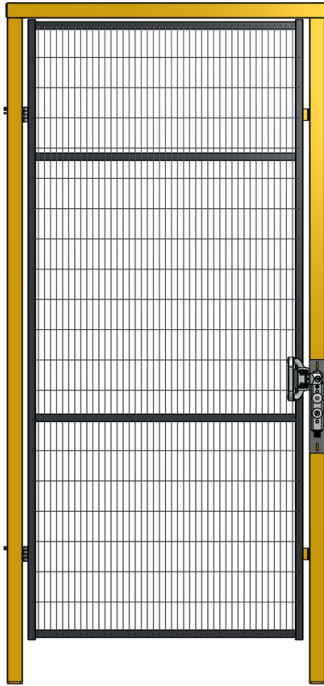
Heavy Duty Leveling Post
*Adjustable up to 2 1/2" *

SP - 2200 00-XX

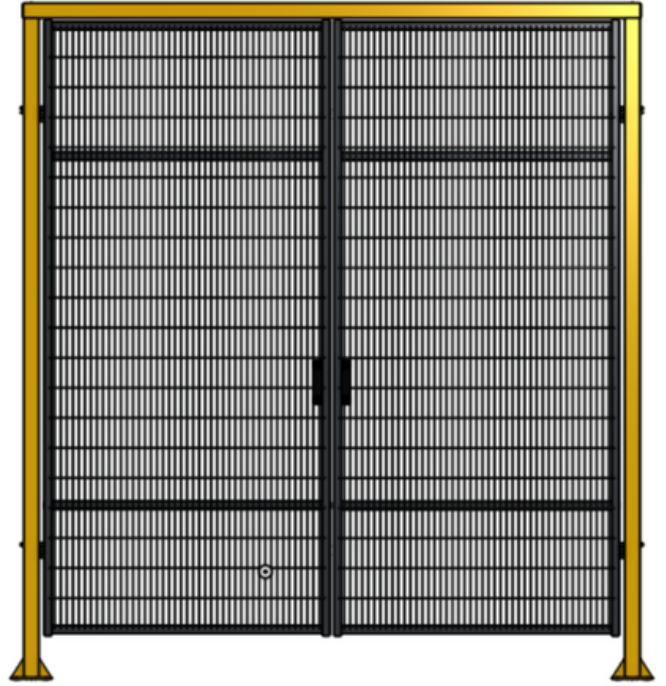


*** = Use only when you need to mount 4 panels to a post

Single and Double Hinged Doors



Shown as a left hand door with interlock mount



Hinged doors come assembled with options selected below. Post hardware to attach panels are included. See interlock and electronic options for brands and style of interlocks available.

Configure doors with AMGS's new online configurator

www.advmgs.com

DSHW - 22 1500 L 1 WSR

Door Style

S = Single Hinge
D = Double Hinge

Panel Media

W = Wire Mesh
P = Polycarb
S = Sheet metal

System Height Options:

22 = 2200mm
18 = 1800mm (SD Only)

System Width Options:

3000 = 3000mm (DD Only)
2500 = 2500mm (DD Only)
2000 = 2000mm (DD Only)
1500 = 1500mm (SD Only)
1250 = 1250mm (SD Only)
1000 = 1000mm (SD Only)
0750 = 750mm (SD Only)

Door Hand

D = Double
L = Left Hand
R = Right Hand

Door Handle Styles

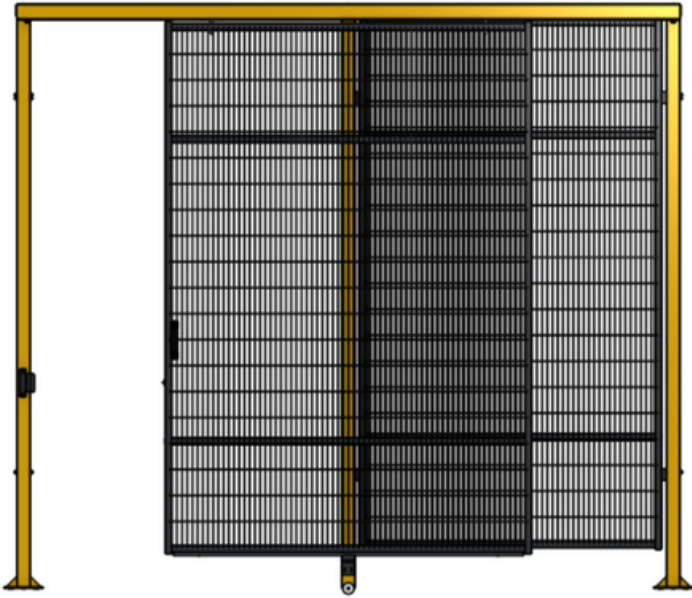
1 = Standard Handle
2 = Fortress Interlock Mount
3 = Schmersal AZM201 Mount
4 = Keyence GS Series Mount

Weld Screen Option

-Blank-
WSR = Weld Screen Red
WSB = Weld Screen Blue

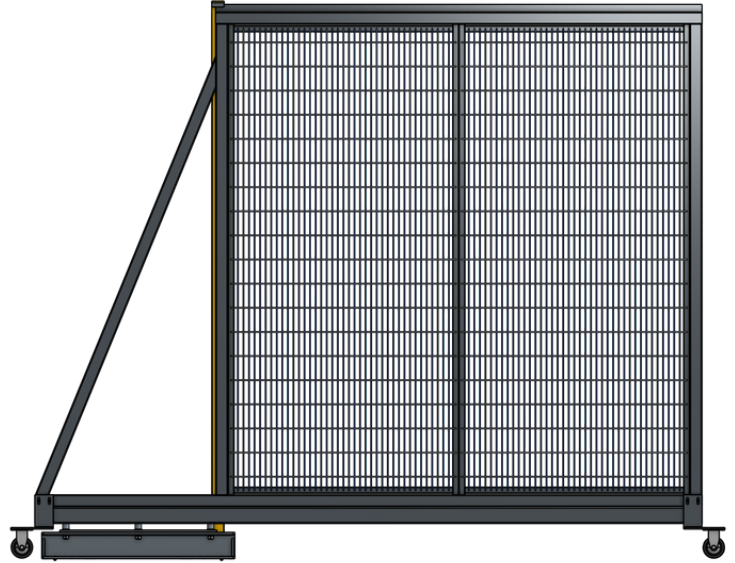
Sliding Door

Sliding Door With Header shown with a right hand door and a 01 type handle



Cantilevered Door shown with a left hand door and a 01 type handle

Custom Sizes Available



Sliding doors come assembled with options selected below. Post hardware to attach panels are included. Select 02 Door Handle Style when ordering with an interlock.

Configure doors with AMGS's new online configurator

www.advmgs.com

DSSW - 22 2000 L 1 WSR

Door Style

S = Sliding Door
C = Cantilever Door

Door Style(1)

S = Single Door
D = Double Door

Panel Media

W = Wire Mesh
P = Polycarb
S = Sheet metal

System Height Options:

22 = 2200mm

System Width Options:

3000 = 3000mm
2500 = 2500mm
2000 = 2000mm
1500 = 1500mm (2)
1250 = 1250mm (2)

Weld Screen Option

-Blank-
WSR = Weld Screen Red
WSB = Weld Screen Blue

Door Handle Styles

1 = Standard Handle
2 = Fortress Interlock Mount
3 = Schmersal AZM201 Mount
4 = Keyence GS Series Mount

Door Hand

L = Left Hand
R = Right Hand
D = Double (1)

Variables

(1) = Double Door is only for Cantilevered Doors
(2) = Only Single Cantilevered Door

Door Interlock Options

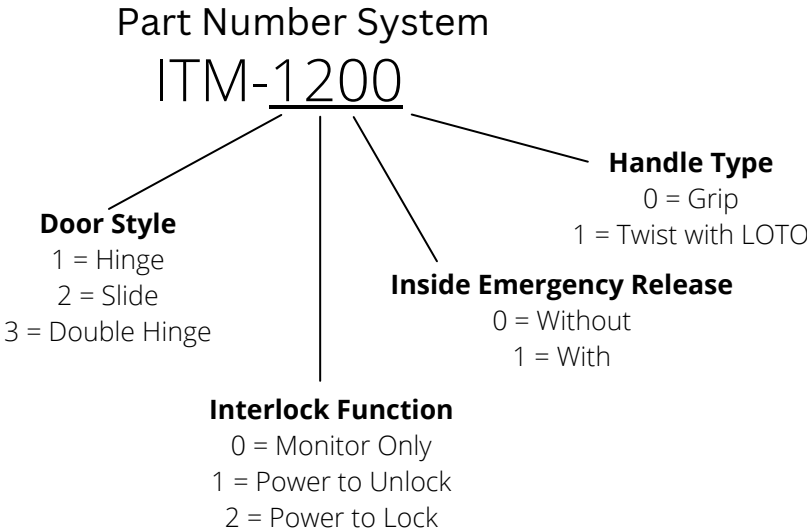


AMGS offers standard door interlocks from Fortress

- Monitor Only** - Includes 2 N.C. safety rated contacts
- Power To Lock Interlock** - Includes 2 N.C. safety rated contacts with solenoid locking. 24VDC Required to Lock
- Power To Unlock Interlock** - Includes 2 N.C. safety rated contacts with solenoid locking. 24VDC Required to Unlock
- Optional EM Release** available for solenoid locking interlocks

Standard grip handle is supplied for sliding or hinged doors. An option for a twist handle with Lock Out Tag Out available.

Additional styles of interlocks from Fortress can be supplied.



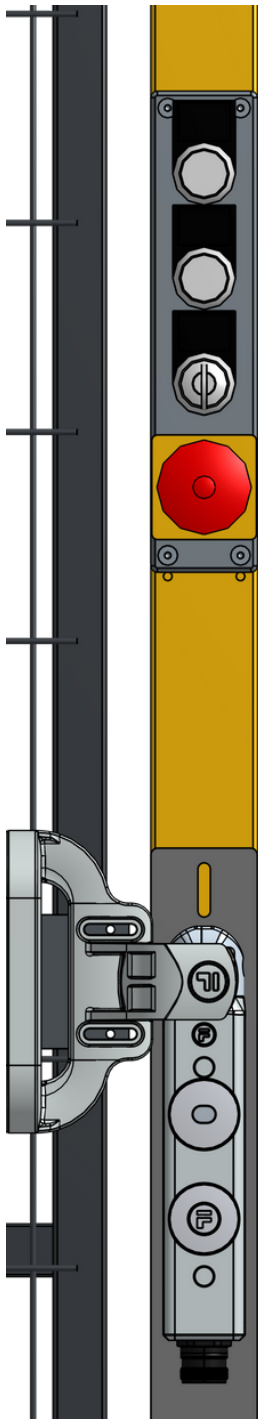
Safety Interlock Cables

TQ-2 Cable
M12 5 Pin To Flying Leads
Part Numbers
CAB-105 5 Meter
CAB-110 10 Meter
CAB-115 15 Meter

TQ-2 Cable
M23 12 Pin To Flying Leads
Part Numbers
CAB-205 5 Meter
CAB-210 10 Meter
CAB-215 15 Meter

Push Button Operator Stations

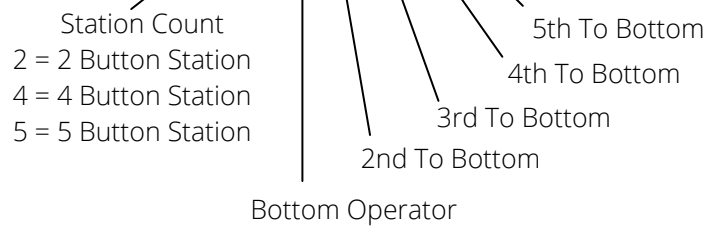
Push button operator stations are custom assembled from three sizes of aluminum covers. Door posts are cut out allowing for the push button contacts to be wired within the steel door post. These are also commonly used for light curtain posts. Below are common operators to select from. All contacts are pre-wired to a M12 / 12 pin cable or M23 / 19 pin cable.



Order Code	Operator Type
0	Twist To Pull EM Stop with 2 N.C. Contacts
1	Blank Plug
2	Blue Momentary Flush Push Button With LED and 2 N.O. Contacts
3	Green Momentary Flush Push Button With LED and 2 N.O. Contacts
4	Amber Momentary Flush Push Button With LED and 2 N.O. Contacts
5	Keyed Selector Switch Maintained Left/Right With 2 N.O. Contacts
6	Selector Switch Maintained Left/Right With 2 N.O. Contacts

Part Number System

PB-120000



Push Button Operator Station Cables

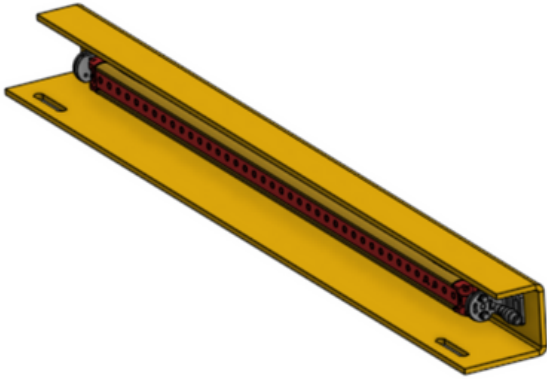
TQ-2 Cable
 M12 12 Pin To Flying Leads
 Part Numbers
CAB-305 5 Meter
CAB-310 10 Meter
CAB-315 15 Meter

TQ-2 Cable
 M23 19 Pin To Flying Leads
 Part Numbers
CAB-405 5 Meter
CAB-410 10 Meter
CAB-415 15 Meter

Light Curtain Mounts

Light Curtain Post are laser cut from 3"x 3" x1/4" tube steel and robotically welded to the foot pad. The foot pad has (4) M6 threaded jack screws to assist with leveling and 3/8" anchor clearance holes. Additional heights are available.

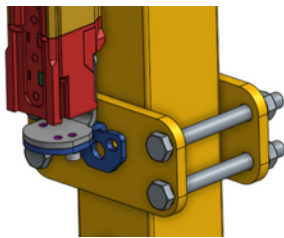
Part Number CP-220000 **Standard 2200mm Light Curtain Post**
CP-2200CS **Customized 2200mm Light Curtain Post**
CP-180000 **Standard 2200mm Light Curtain Post**
CP-1800CS **Customized 2200mm Light Curtain Post**



Floor Mount Horizontal Light Curtain Mount

1/4" bent steel mount meets a rigid mount requirement for mounting to the floor. Slotted holes are included for anchor bolts. Consult the factory for customized solutions for specific light curtain brand mounting patterns.

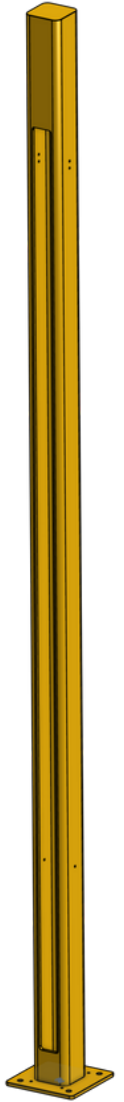
Part Number CF-1000 **Standard 1000mm Long Mount**
CF-1250 **Standard 1250mm Long Mount**



Adjustable Light Curtain Mounting Brackets Used with our standard guarding post. This clamping design allows for the light curtain to slide up and down the post for alignment. This mount works great for a muting light curtain system as shown in the picture.

Consult the factory for specific light curtain brand mounting patterns.

Part Number ADJ-LCMOUNT



Light Curtain Mounts

Light Curtain Protection Mount

Made from 10-gauge steel sheet metal, slotted mounting holes that match threaded holes in standard 2200mm and 1800mm tall posts.

Sold In Pairs

Part Number LP-220000 Standard 2200mm Light Curtain Post
LP-180000 Standard 1800mm Light Curtain Post



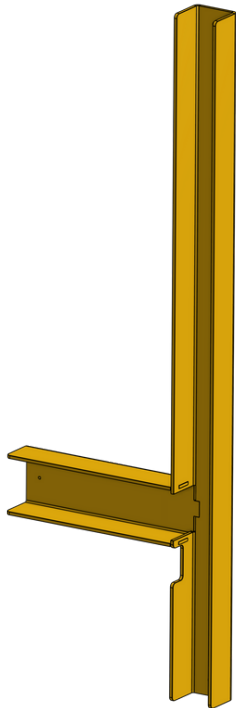
Single Direction Muting Light Curtain Protection Mount

Made from 10-gauge steel sheet metal, slotted mounting holes that match threaded holes in standard 2200mm and 1800mm tall posts. Mounting holes for thru-beam sensors and/or reflectors mounts.

Custom heights are available

Sold In Pairs

Part Number SM-220000 Standard 2200mm Light Curtain Post
SM-180000 Standard 1800mm Light Curtain Post



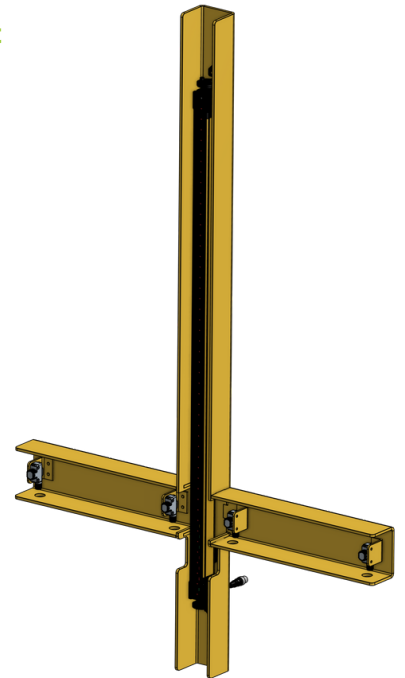
Bi-Direction Muting Light Curtain Protection Mount

Made from 10-gauge steel sheet metal, slotted mounting holes that match threaded holes in standard 2200mm and 1800mm tall posts. Mounting holes for thru-beam sensors and/or reflectors mounts.

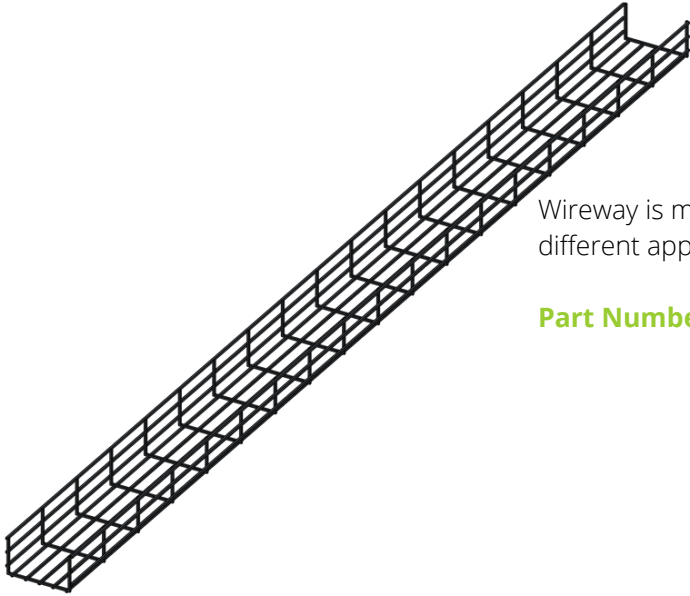
Custom heights are available

Sold In Pairs

Part Number DM-220000 Standard 2200mm Light Curtain Post
DM-180000 Standard 1800mm Light Curtain Post



Wireway and Mounts



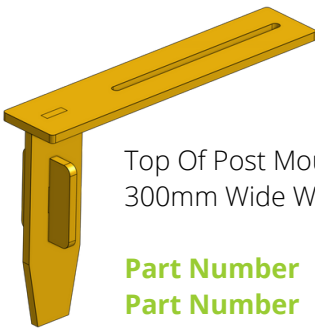
Wireway is made in house and powder coated black. AMGS offers three sizes for different applications.

Part Number WW-60600 60mm Tall x 60mm Wide 3M length
WW-60100 60mm Tall x 100mm Wide 3M length
WW-60300 60mm Tall x 300mm Wide 3M length



Wireway Hold Down Bracket For Top Of Post Mount
For 100mm or 300mm Wide Wireway

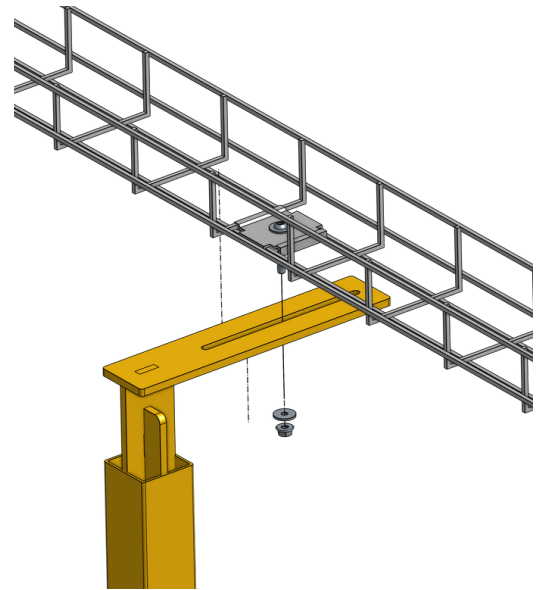
Part Number WW-Post03



Top Of Post Mount For 100mm or
300mm Wide Wireway

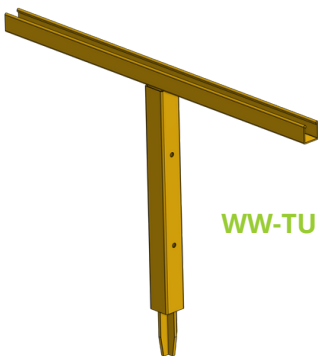
Part Number WW-Post01-100
Part Number WW-Post01-300

Exploded View Of Post Assembly

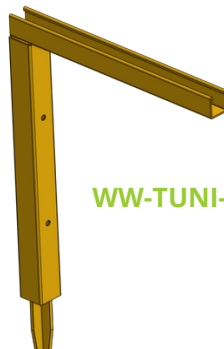


Uni-Strut Mounts With Post Extensions

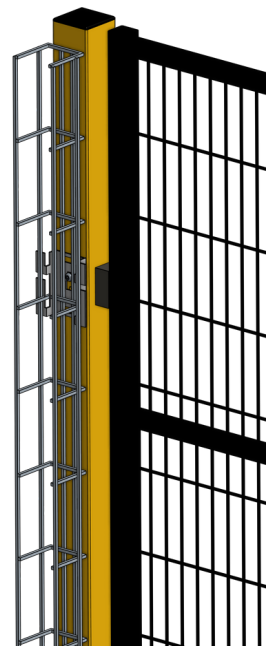
Standard extension height of 500mm
Tee Style equals 900mm of uni-strut
L-Style equals 475mm of uni-strut
Different Configurations available



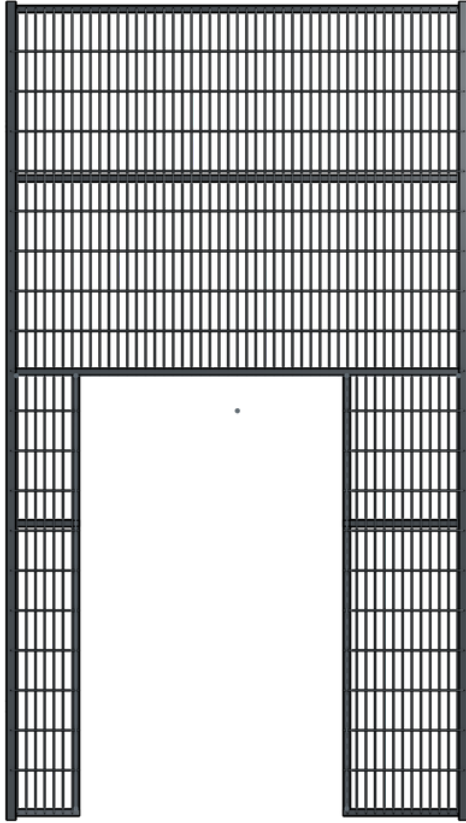
WW-TUNI-500-900-T



WW-TUNI-500-475-L



Custom Panel and Color Options



AMGS created a custom panel configurator on the website to allow customers the base frame work of a custom width, height, or custom cut out as you see here. All panel types can be modified to fit your application.

Check out our website at **WWW.ADVMGS.COM** for the configurator and instruction sheet.

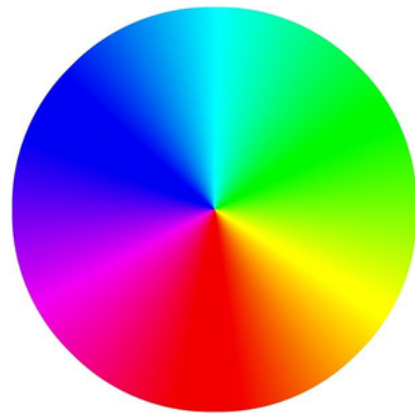
AMGS offers for customers to personalize their machine guarding solutions with custom powder coating options.

Consult with the factory for color options and pricing

Standard Panel Color is Black



Standard Post Color is Safety Yellow





03-24

1111 7th Ave E. | Hibbing, MN 55746
Phone: (218) 389-7559 Fax: (218) 389-7889

www.advmgs.com